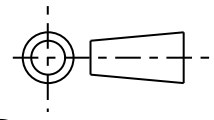
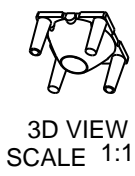
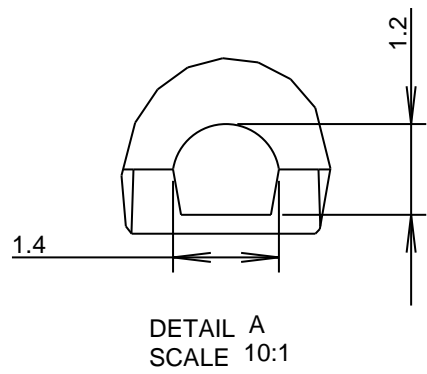
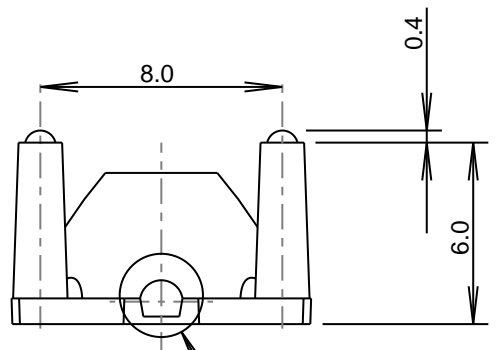
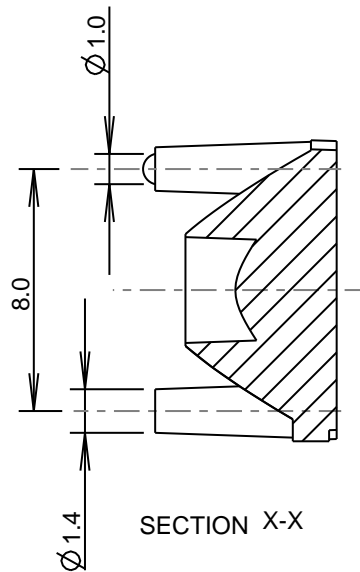
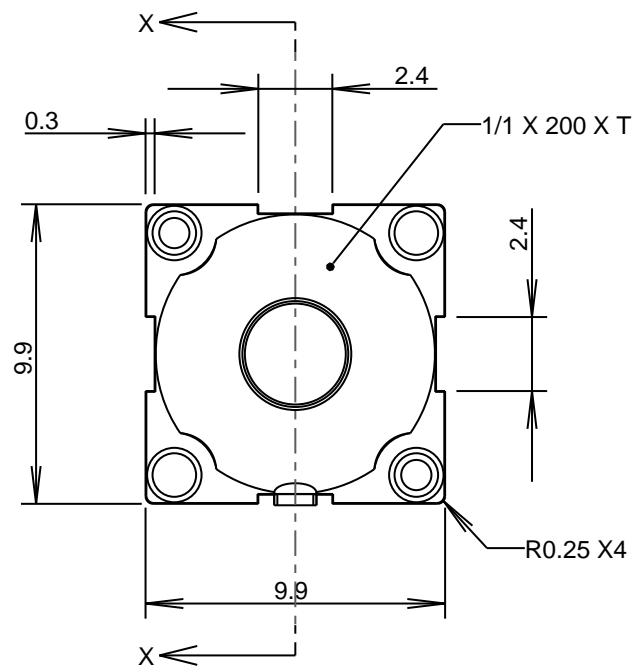


ISS.	DATE	E.C.N.	DESCRIPTION
2	4-Oct-07		CHANGE TO DOME PIPS

© 2007 CARCLO
 ALL DIMENSIONS IN mm



CUSTOMER DRAWING



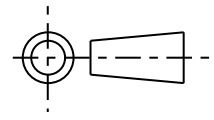
SEE DETAIL A

- NOTES:
 1. MATERIAL - UV STABILISED POLYCARBONATE
 2. INCLUSIONS SPECIFIED TO BS4301

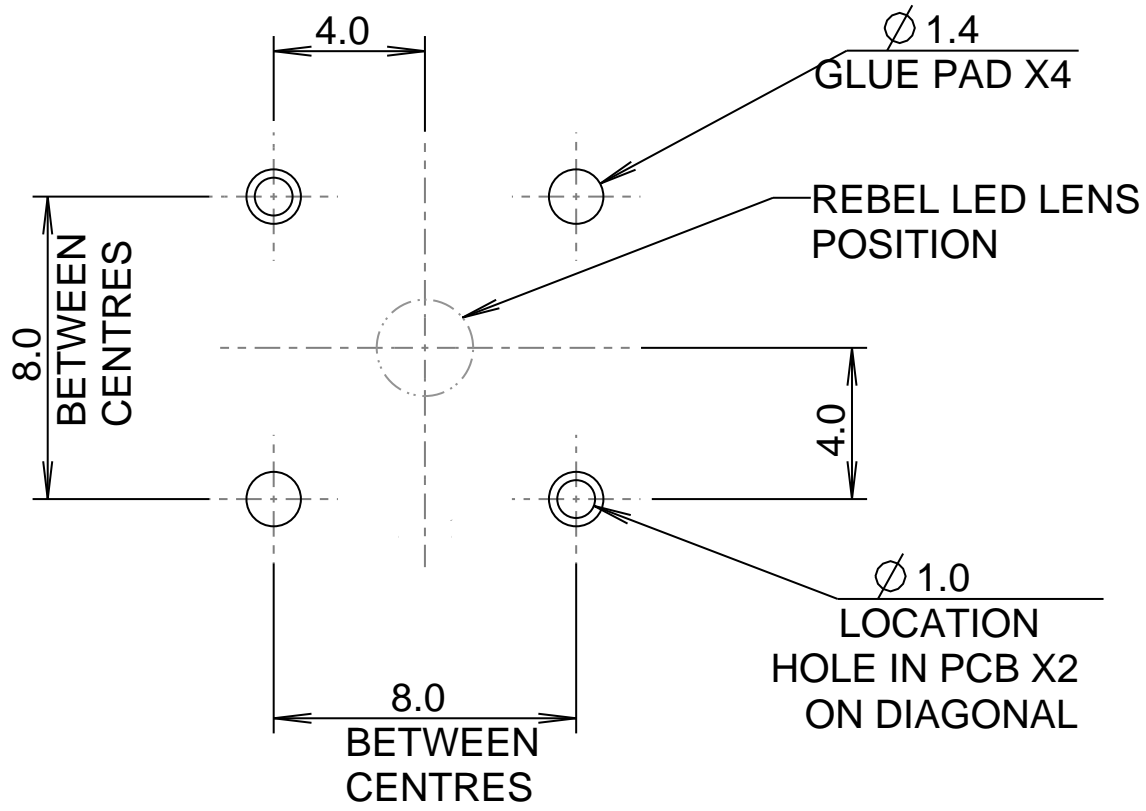
CUSTOMER		
CARCLO		
TITLE		
10MM SQUARE LED OPTIC		
DRAWN	DATE	
AJD		25-Jun-07
CHK'D	DATE	
APP'D	DATE	
SCALE	COIL PART No.	
4:1	10412	
SIZE	COIL DRG. No.	SHEET
A4	60483	1 OF 2

ISS.	DATE	E.C.N.	DESCRIPTION
2	4-Oct-07		CHANGE TO DOME PIPS

© 2007 CARCLO
ALL DIMENSIONS IN mm



PCB GLUE PAD AND ALIGNMENT HOLE LAYOUT DIMENSIONS



CUSTOMER		
CARCLO		
TITLE		
LED COLLIMATOR 10MM		
DRAWN	DATE	
AJD		25-Jun-07
CHK'D	DATE	
APP'D	DATE	
SCALE	CARCLO PART No.	
5:1	10412	
SIZE	CARCLO DRG. No.	SHEET
A4	60483	2 OF 2